

Kelvinator 

Factory Parts Catalog

Product No.	KFS220RGW0
Series	Commercial
Color	white
Volts	115
Owner's Guide	297147600
Market	North America

 **Electrolux**

Electrolux Major Appliances
North & Latin America
P.O. BOX 212378
AUGUSTA, GA 30917

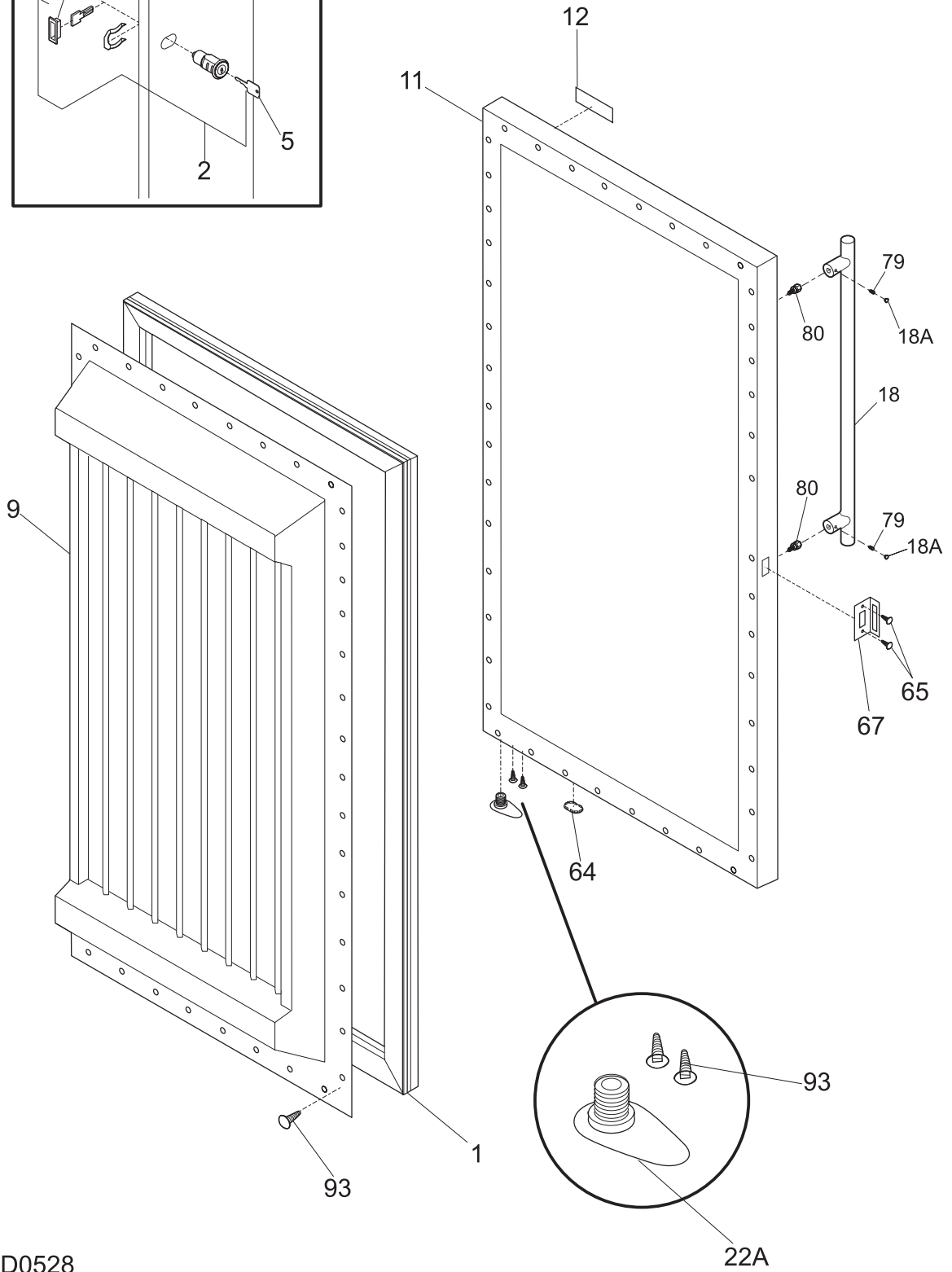
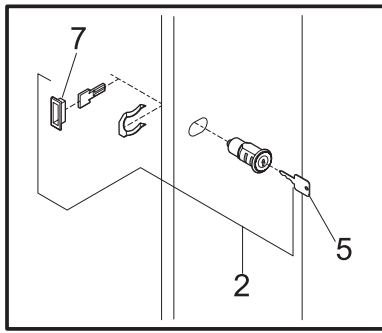
Publication No.
5995499521
07/09/13
(EN/SERVICE/MLR)
365

UPRIGHT FREEZER

Model No.
KFS220RGW

Copyright © 2007 Electrolux Home Products, Inc.
All rights reserved.

DOOR

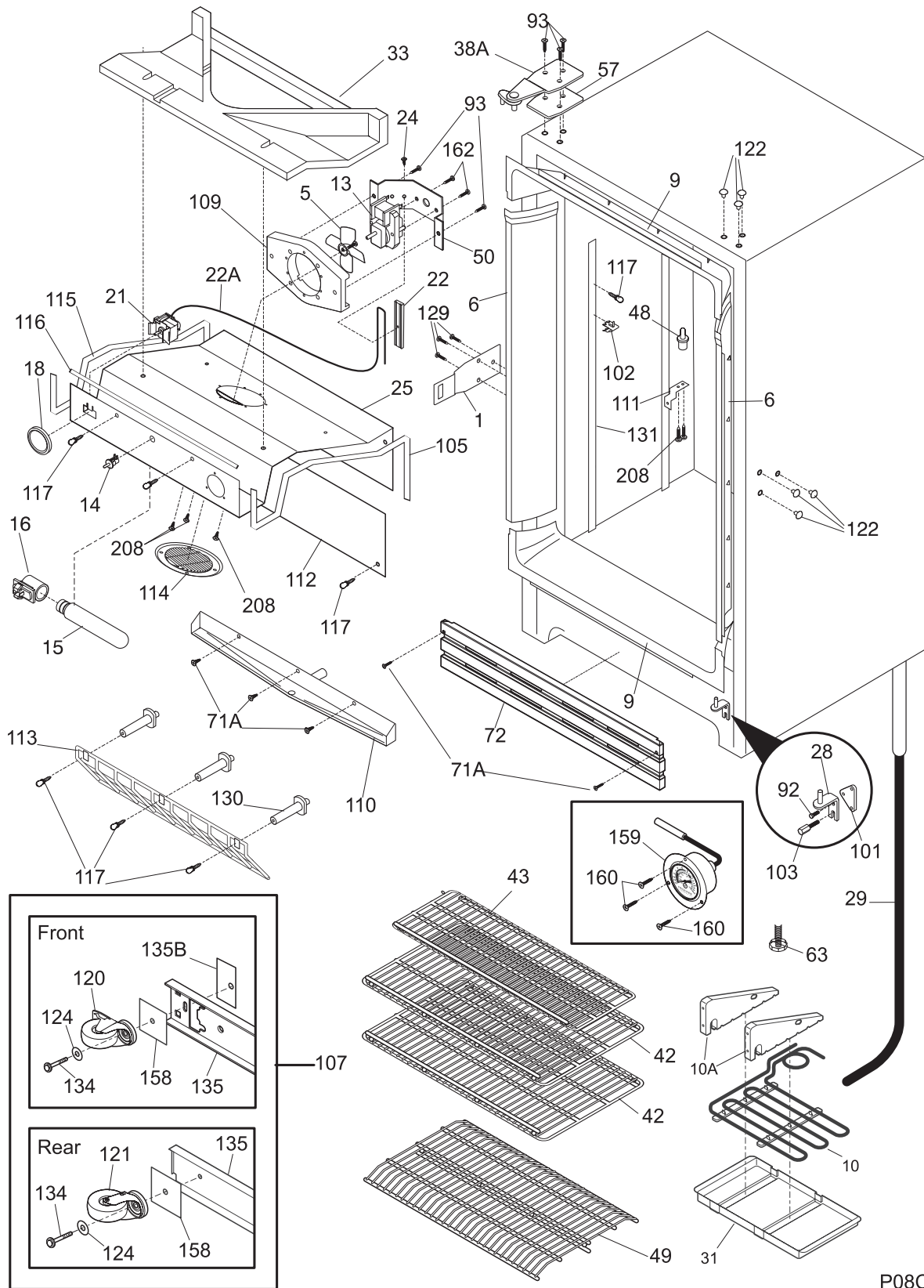


P08D0528

DOOR

POS. NO	PART NO.	DESCRIPTION
1	216522315	Gasket-door, gray
2 #	216362700	Lock Assy
5 #	216362800	Key, lock
7	216468700	Bezel-lock
9	297071000	Panel-inner door
11	216450105	Panel-outer door
12	297146600	Nameplate, Commercial
18	297141900	Handle
*	240537301	Nut-anchor, door hdl screw
18A	297083500	Plug-handle
22A	216335400	Bearing-hinge
64	216403701	Plug-button, hole filler, door base
65	216423500	Screw-retainer
67	216423000	Retainer-lock
79	218755402	Screw-set, 10-32 x 0.375
80	218755504	Screw-shoulder, #10 AB, handle mounting
93	5304460605	Screw, ph truss head, 8-18AB x 0.500
*	216923003	Plug button, 1/4", grey, (2)

CABINET

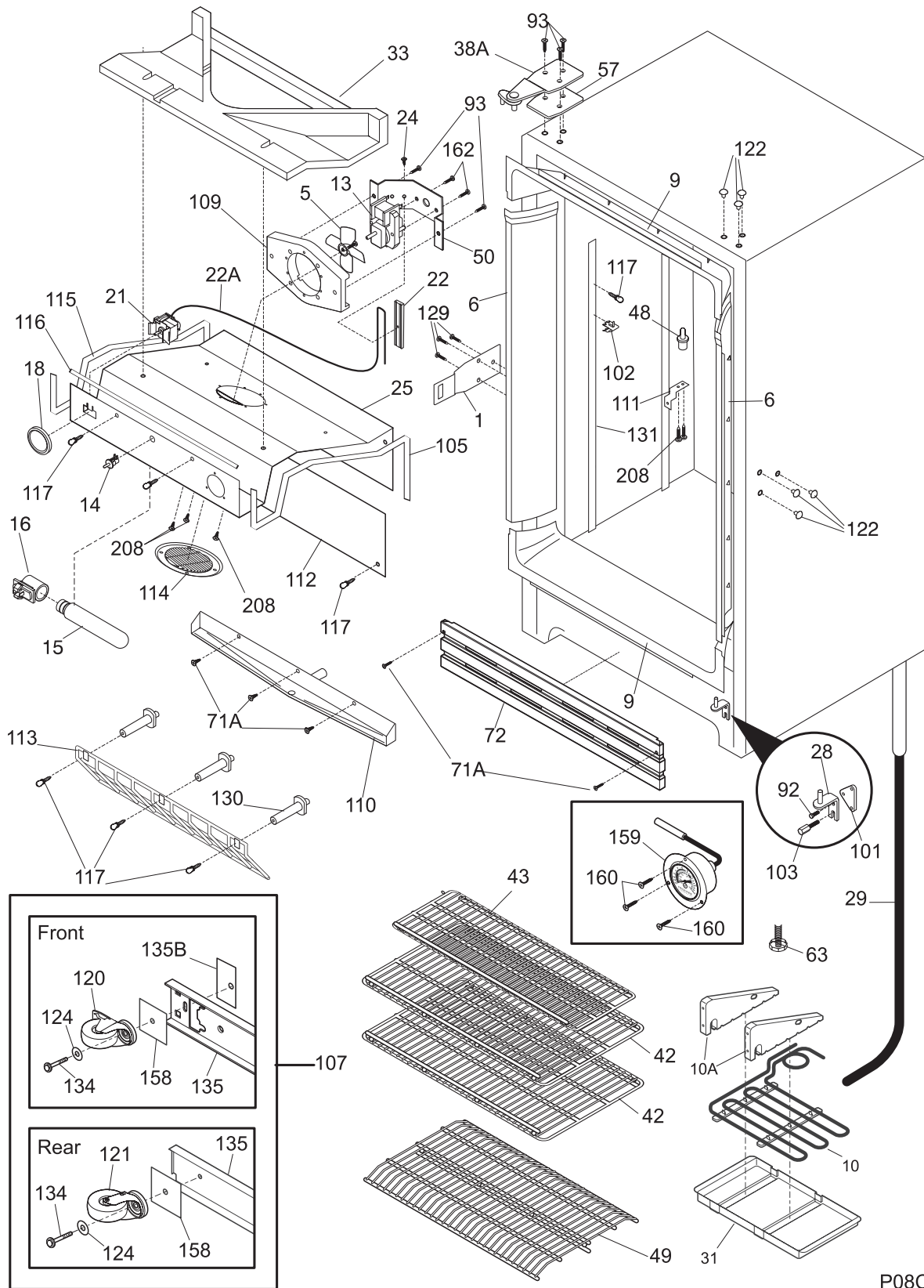


P08C1034

CABINET

POS. NO	PART NO.	DESCRIPTION
1	216324200	Lock-catch
5 #	216325600	Fan Blade
6	216604100	Breaker Kit w/corners
9	216603300	Breaker Kit w/corners, 32", top or bottom
10	216999400	Tubing- heater, formed
10A	216933700	Bracket, drain pan
10A*	216742700	Screw, 8-18 x 9/16, white, (4)
13 #	216934100	Motor, fan, 115 V
14	216472300	Switch-light plunger
15	216518100	Light Bulb/Lamp
16	216817601	Socket, light/lamp, 25 W
18	216591501	Knob, temp control
21	216579100	Control-temperature, NSF
22	216823500	Clamp, cap tube, cold control
22A	5303916855	Tube, sensor sleeve, plastic, clear
24	5300052943	Screw-clamp, truss hd cr, control
25	216659103	Cover-evaporator
28	216335600	Hinge-bottom, stepped pin
29	216361901	Hose-drain
31	216732400	Pan-drain
33	216680900	Duct-air
38A	216365200	Door Closer
42	216384000	Shelf-full frame, wire, (2)
43	216386200	Shelf-partial, wire
48	08000456	Spacer-baffle plate
49	216331800	Trivet
50	08013207	Bracket-fan motor
57	216335500	Spacer-hinge, top
63	216396900	Screw, leveling foot, plastic, adjustable
71A	216395800	Screw, 1/4 20 x 1/2
72	297138900	Grille/Kickplate
92	216850900	Screw, hex washer hd, 1/4 x 7/8, hinge mtg
93	5304460605	Screw, ph truss head, 8-18AB x 0.500
101	216335700	Plate-hinge, tapping
102	297121900	Support shelf
103	216336300	Standoff-base panel
105	216361100	Gasket-cover evap, RH
107	297085803	Castor Kit
107*	297086602	Castor, hardware kit
109	297014200	Venturi, blower
110	216377000	Pan-drain, condensate
111	297066000	Bracket-evap cover
111*	3017666	Nut-insert
112	216381300	Cover-drain, condensate
113	216383600	Grate-air intake
114	297014300	Cover-blower
115	216383700	Gasket-evap cover, LH
116	216383800	Gasket-evap cover, front
117	216605500	Thumbscrew
120	216495300	Roller-front, (2)
121	216495200	Roller-rear, (2)

CABINET

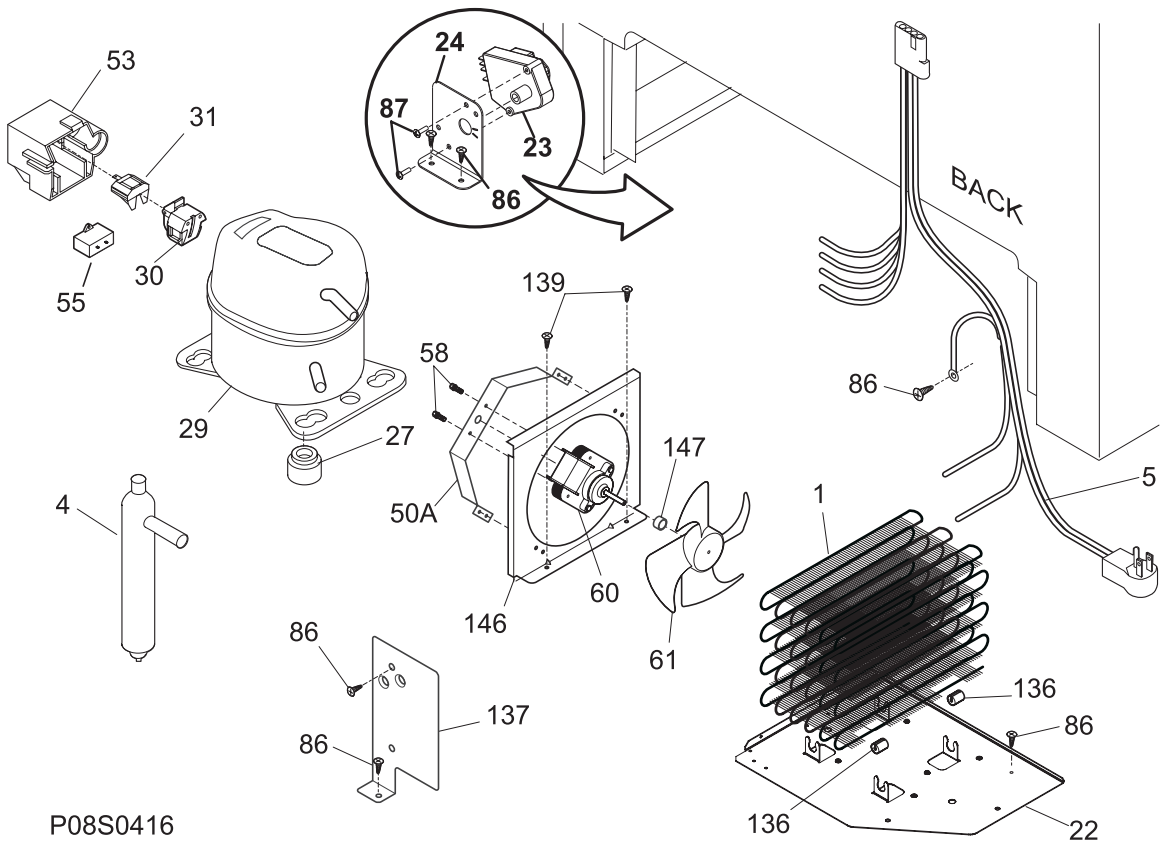
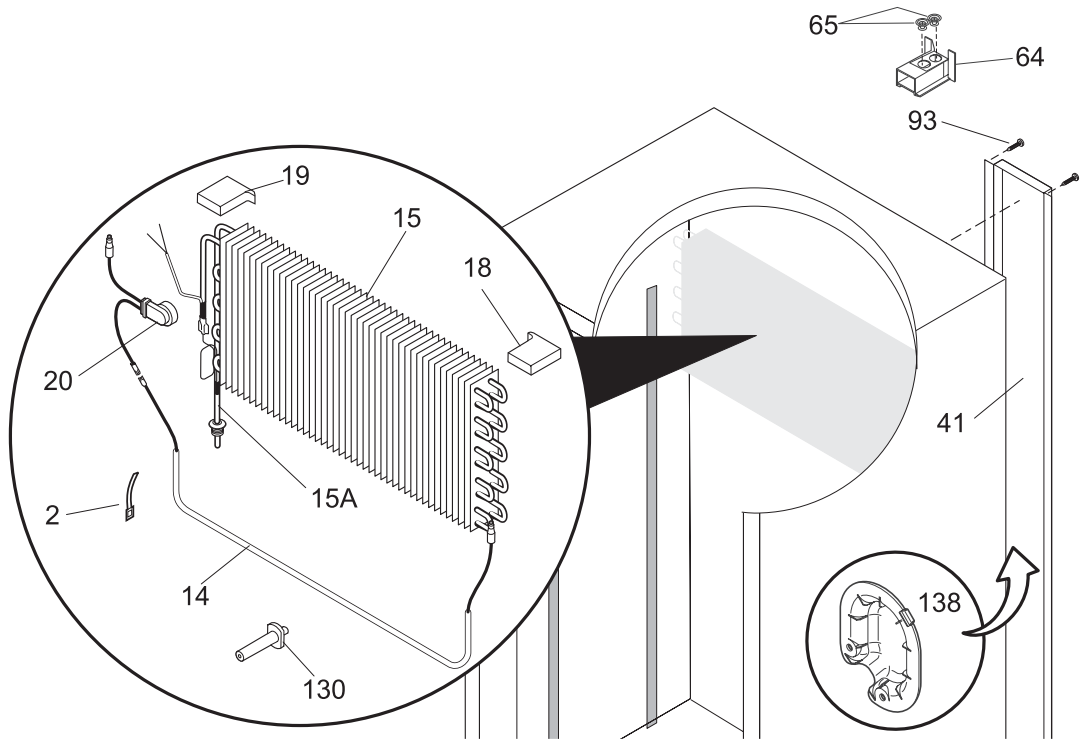


P08C1034

CABINET

POS. NO	PART NO.	DESCRIPTION
122	216429601	Plug, white
124	216658500	Washer, flat, 5/16, front
129	216393300	Screw-lock catch, one way
130	216486800	Support, evaporator mtg
131	297122000	Shelf-standard
134	297084400	Bolt, castor, 5/16" 18x1.625, rear
135	216658101	Support-casters, white
135B	297116700	Castor-tapping plate
158	297078600	Plate-spacer
159	297070201	Dial, thermometer
160	297096100	Screw, #6-20X.375 AB, stainless, thermo dial
162	216912400	Screw, hex washer head, #8-32 x .500, bracket fan mtr, (2)
208	216504500	Screw, AB, 8-18x.500
*	297001707	Spacer-tube, 42"
*	297090800	Label, freezer
*	5303311565	Clip-cable
*	5303321319	Paint, touch-up, white

SYSTEM



P08S0416

SYSTEM

POS. NO	PART NO.	DESCRIPTION
1 #	5300083897	Condenser
*	5303313652	Cap, protective, condenser
2	5308000110	Strap-evap/heater, aluminum, (2)
4 #	216938600	Drier-filter
5 #	297069200	Harness-main
5*	216987800	Adapter-harness
14	216730700	Heater-defrost
15 #	297052900	Evaporator
15A#	216393200	Heat Exchanger
18	297078700	Insulator-evap, styrofoam
19	297078800	Insulator-evap, styrofoam
20	216872200	Thermostat, defrost
22	216970301	Base, condenser
23 #	216744500	Timer-defrost
24	216968501	Bracket-timer
27	218513300	Grommet-compr mtg, (4)
29 #	216966900	Compressor, assy
*	240491503	Screw-compressor mtg, 1/4-28 x 1.16, (4)
30 #	216894200	Starter, relay
31 #	216100126	Overload Protector
41	297070700	Cover-wiring, rear
50A	240524001	Bracket, fan motor mount
53	216894500	Cover-terminal
55 #	216894400	Capacitor-run
58	218897002	Screw, hex washer head, 8-32 x 0.375
60 #	240525402	Motor, condensor fan
61 #	240524101	Fan Blade, galv steel, condenser fan
64	216578800	Vent
65	5309950074	Valve, breather
86	216036600	Screw, ph washer head, 8-32CA x 0.500, thread forming
87	08037849	Screw, ph truss head, 6-32(T) x 0.500, thread cutting
93	5304460605	Screw, ph truss head, 8-18AB x 0.500
130	216486800	Support, evaporator mtg
136	240405201	Grommet, rubber, black, cond tube/wire
137	297090300	Barrier-fan
138	297070800	Cover-drain hose
139	216337700	Screw, hex washer head, 10-24 x 0.500
146	216970200	Shroud-fan orifice
147	240560001	Ring-compression
*	216225700	Grommet-spacer
*	297082300	Harness-jumper
*	297102800	Spacer-tube
*	5303311565	Clip-cable